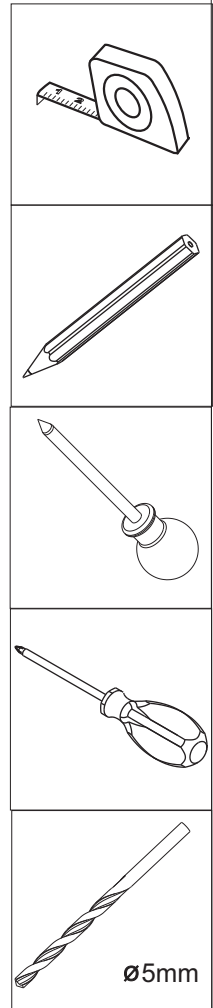
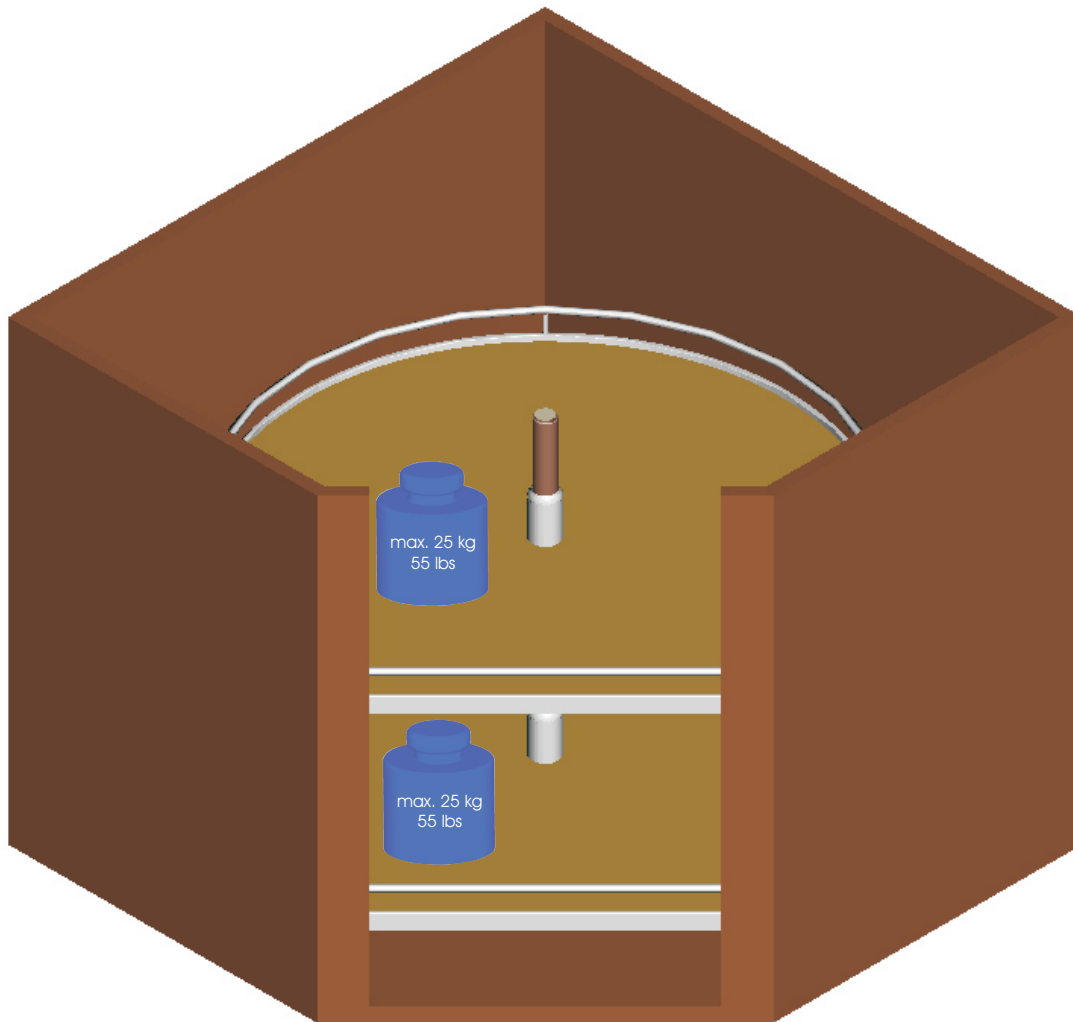


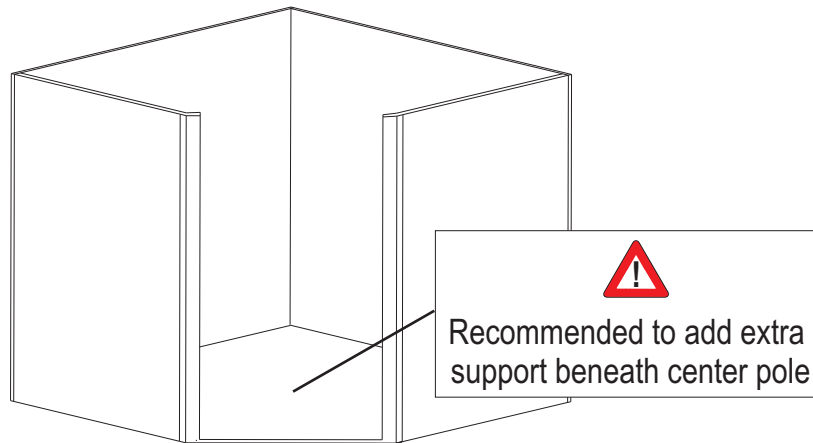
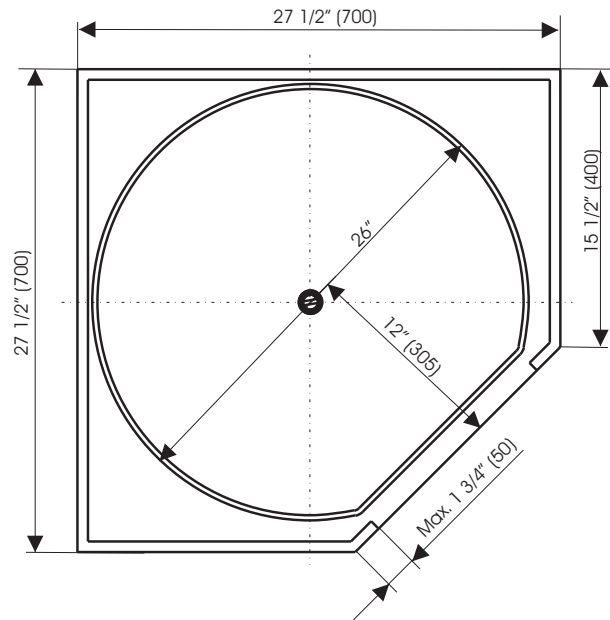


Mounting Instruction
SuperSusan



fasteners are not included

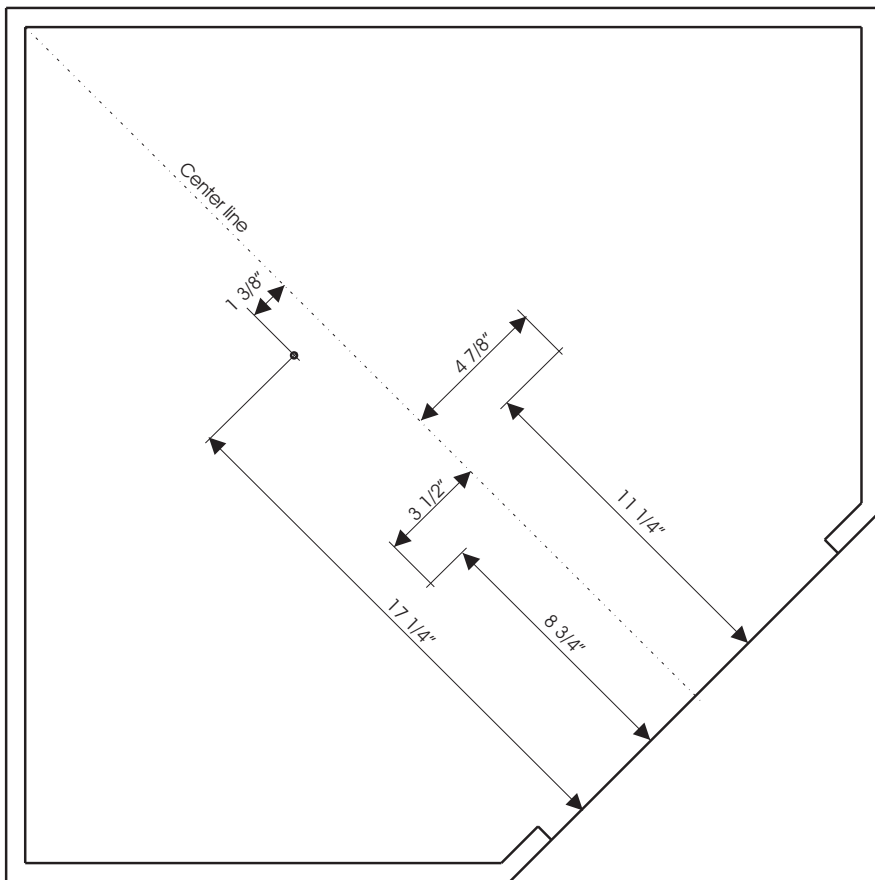
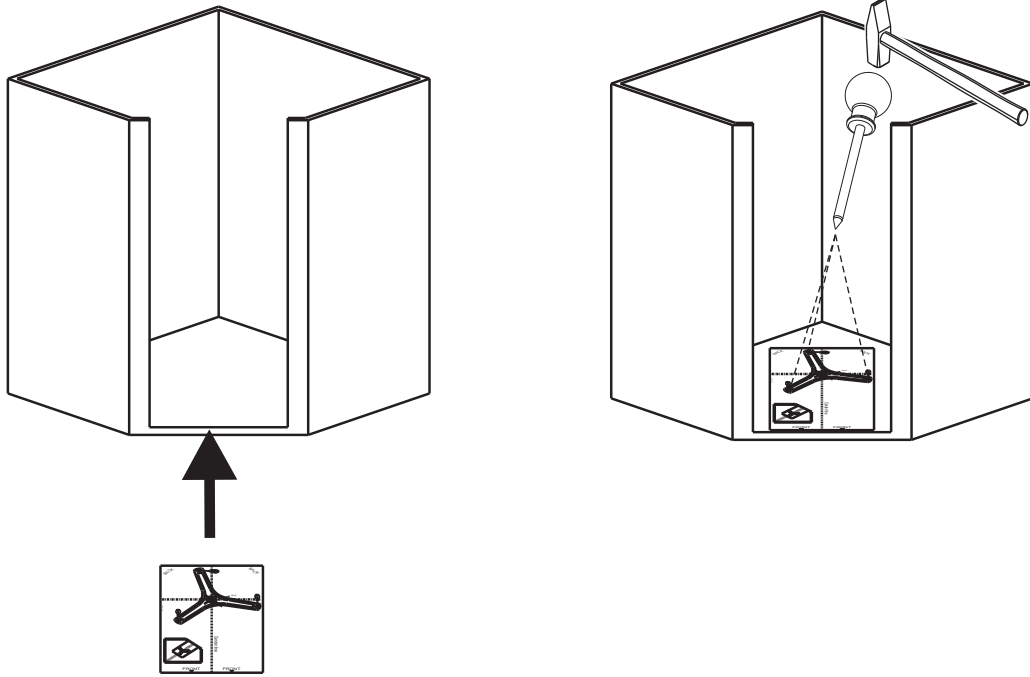
Post bottom mounted	Post height adjustable
use 3x	use 6x
 pan head	 pan head



- A. Post with Stand for bottom Mounting (p. 3 - 5)
- B. Post height adjustable (p. 6 - 9)

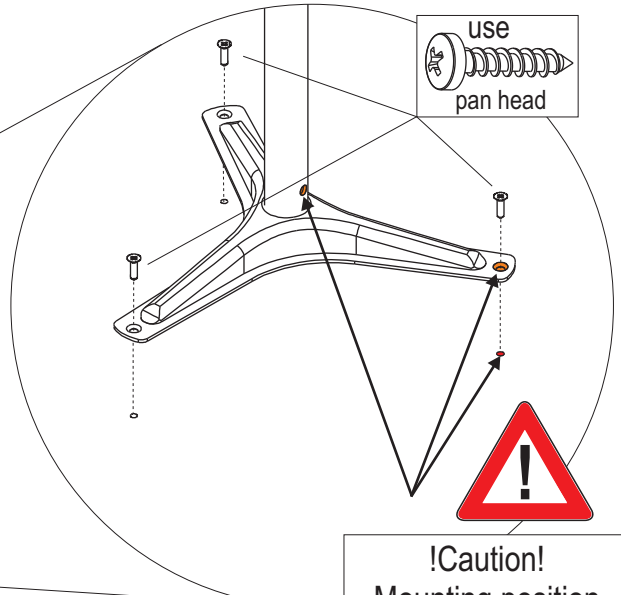
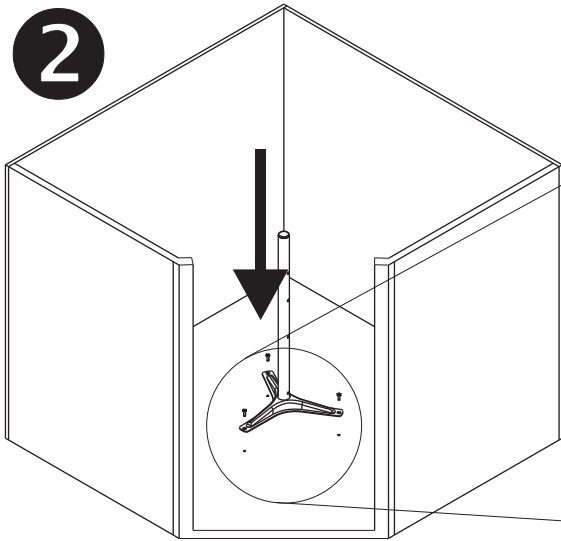
A. Post with Stand for bottom Mounting

1



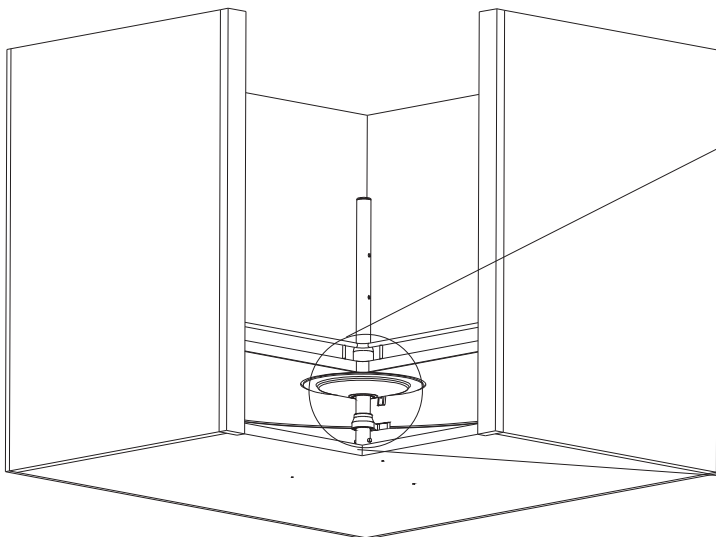
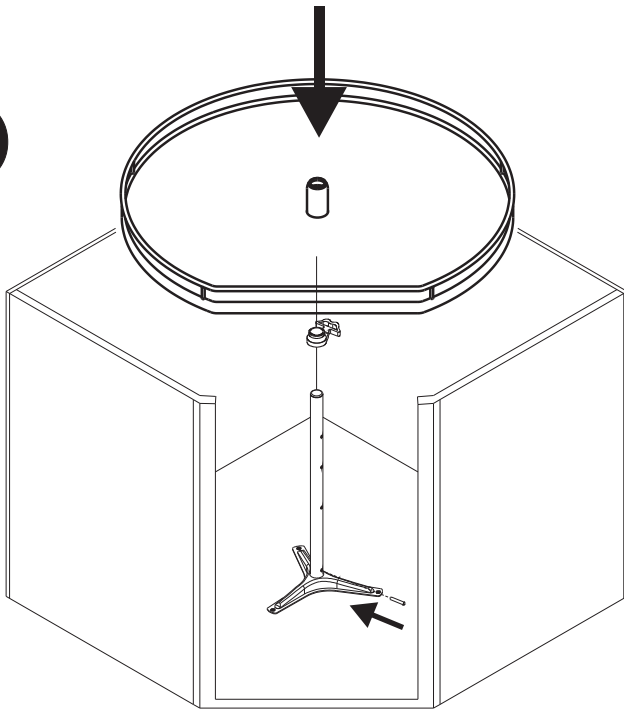
Dimensions in mm
Inches are approximate

2

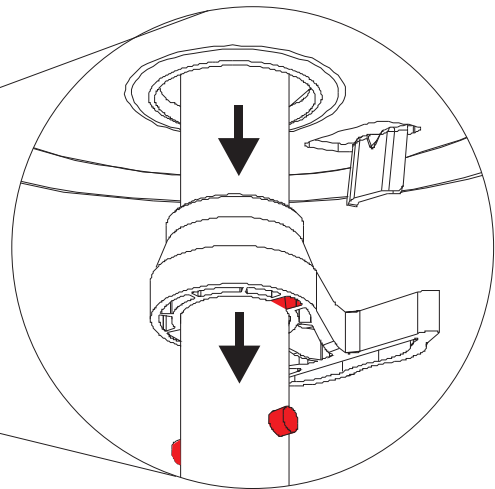
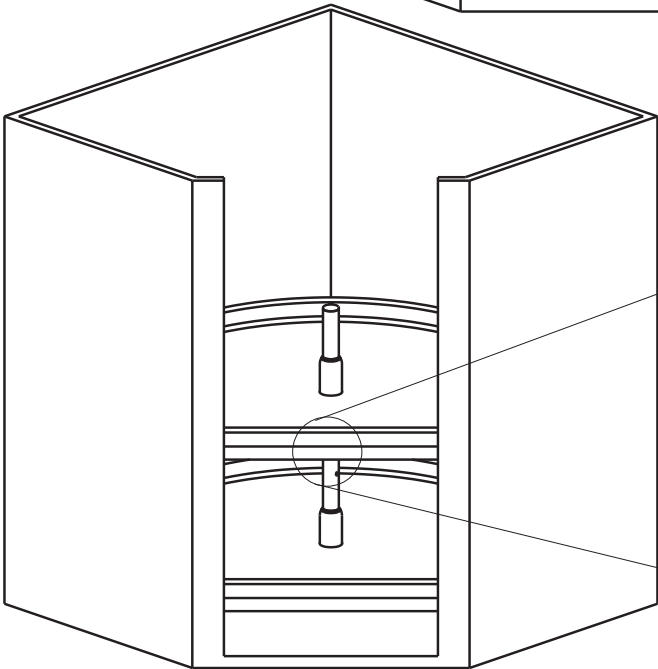
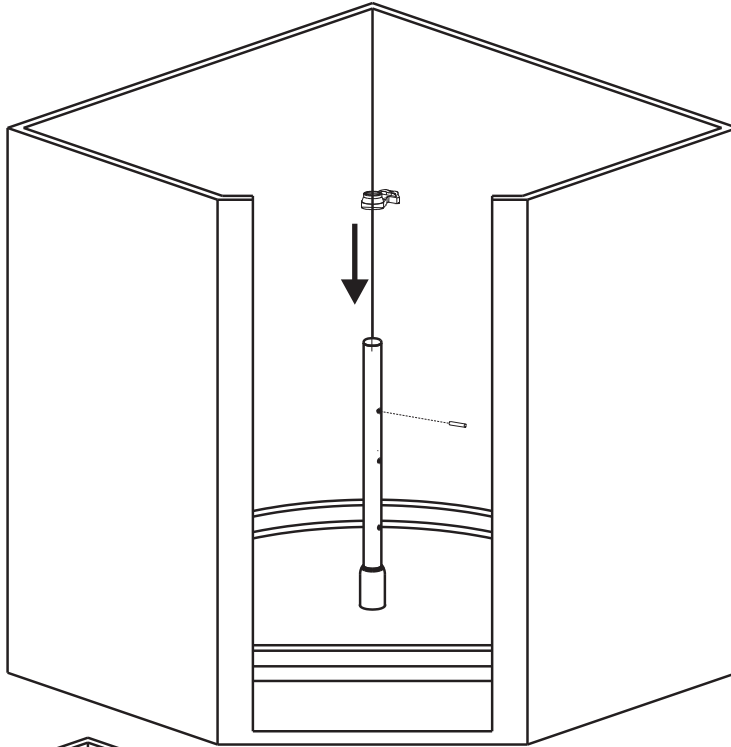
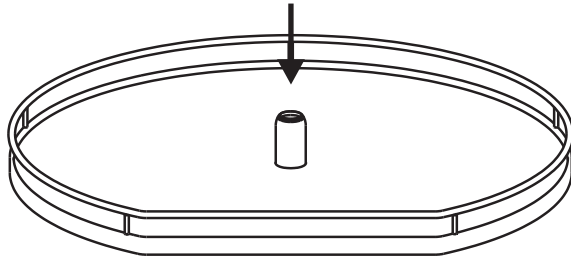


!Caution!
Mounting position
of post

3



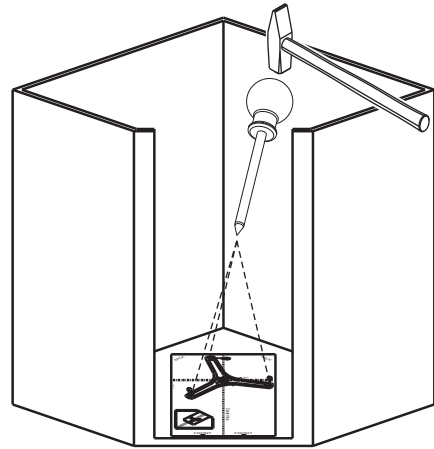
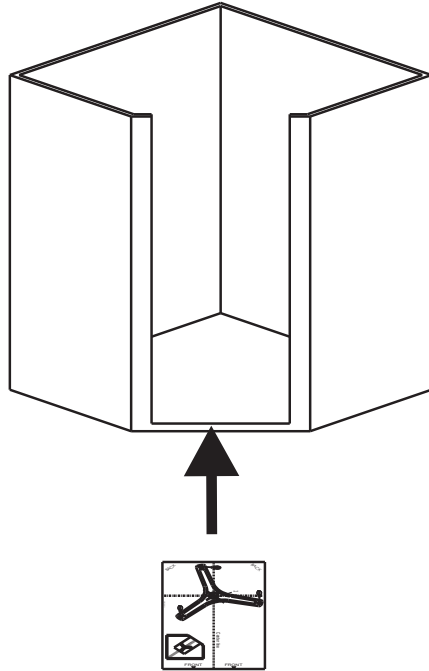
4



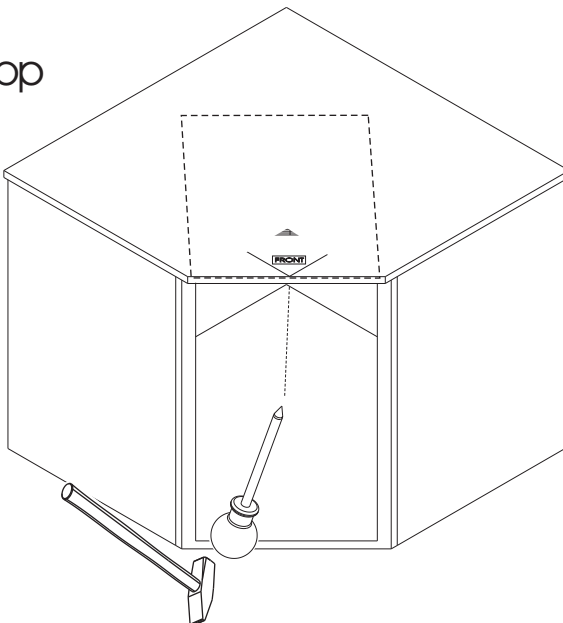
B. Post height adjustable

1

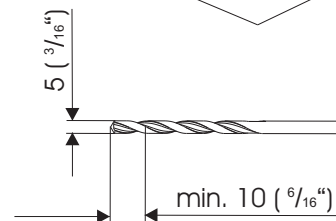
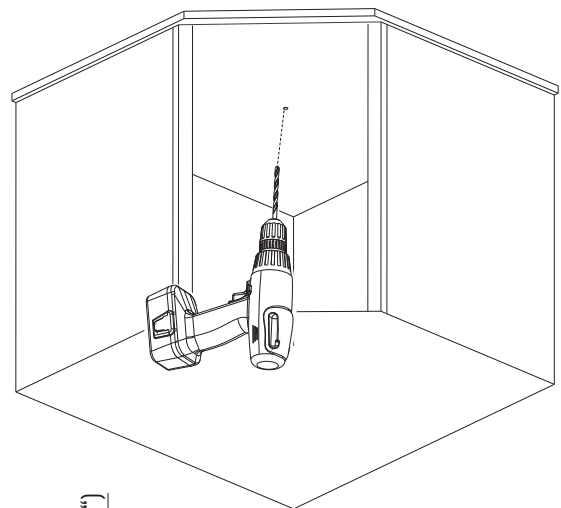
Bottom

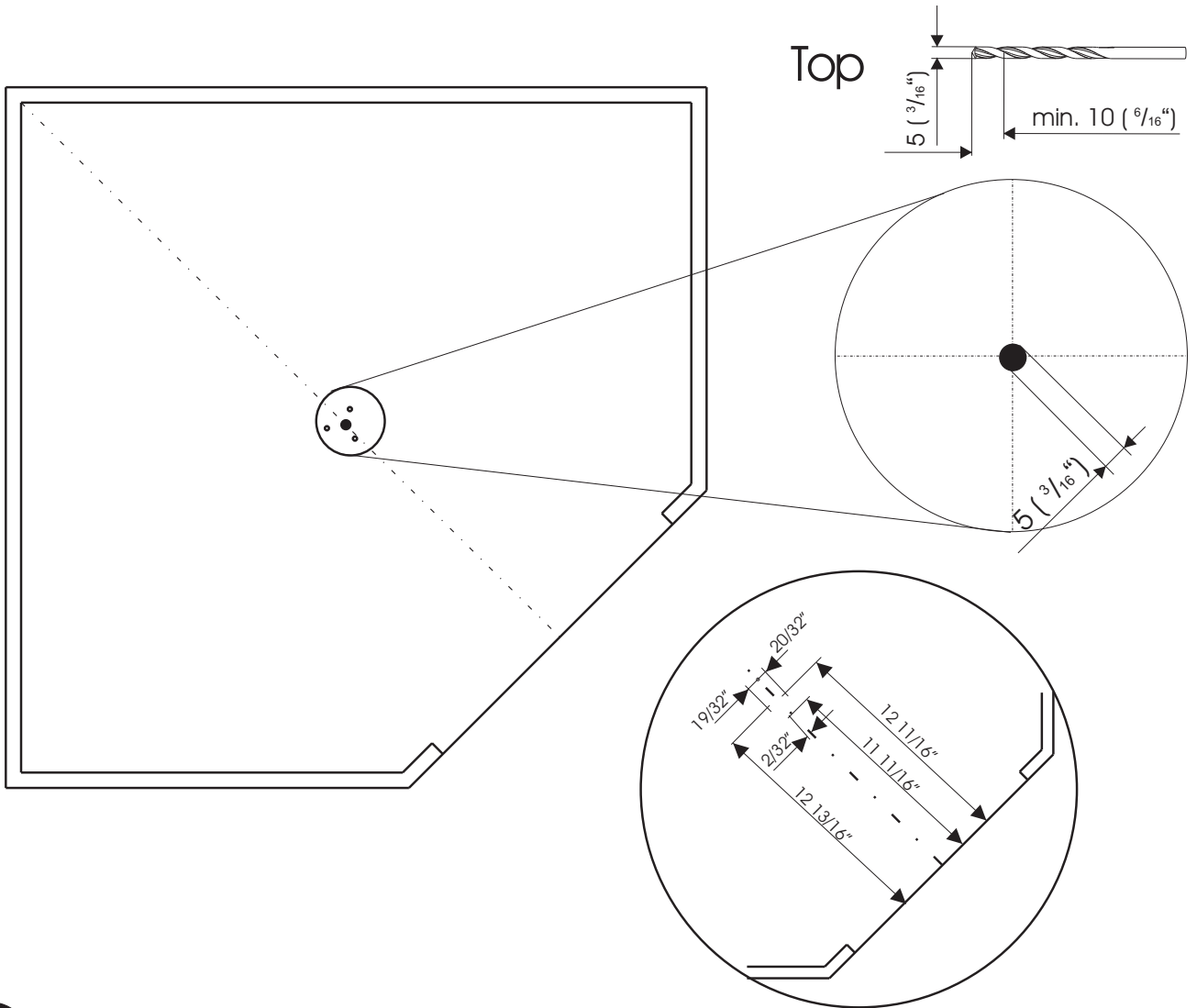


Top

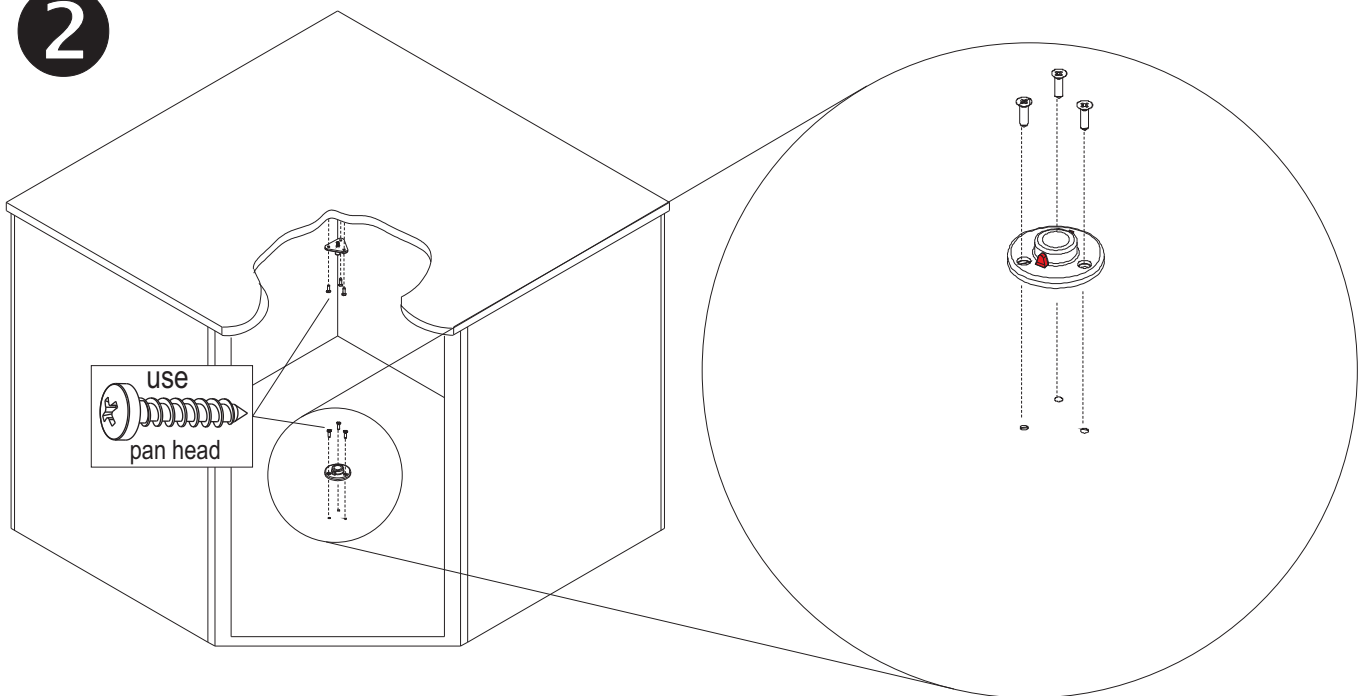


mark only center position !



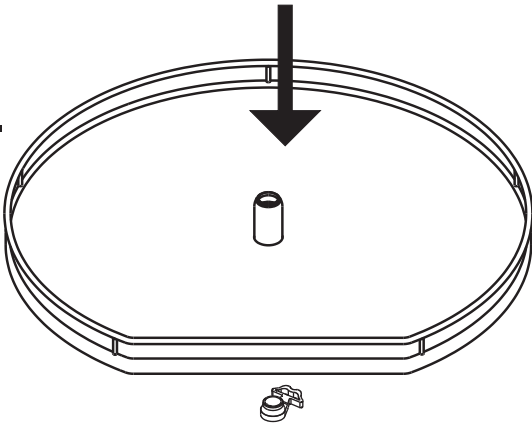


2

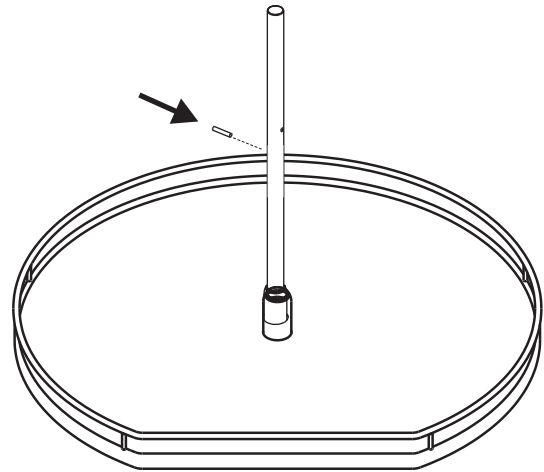
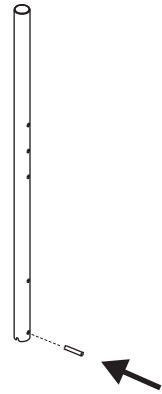
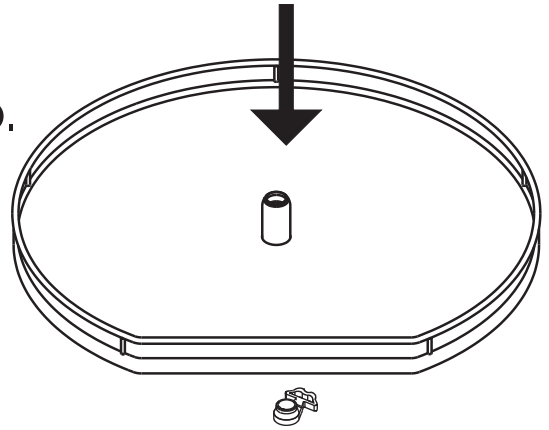


3

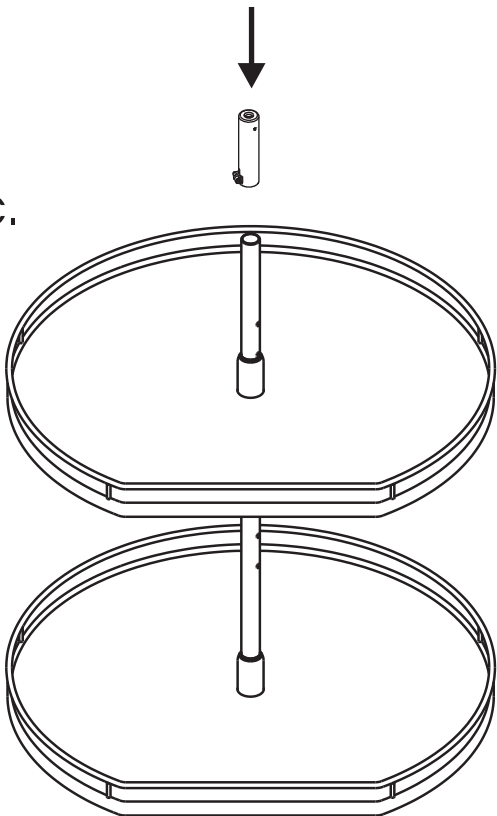
a.



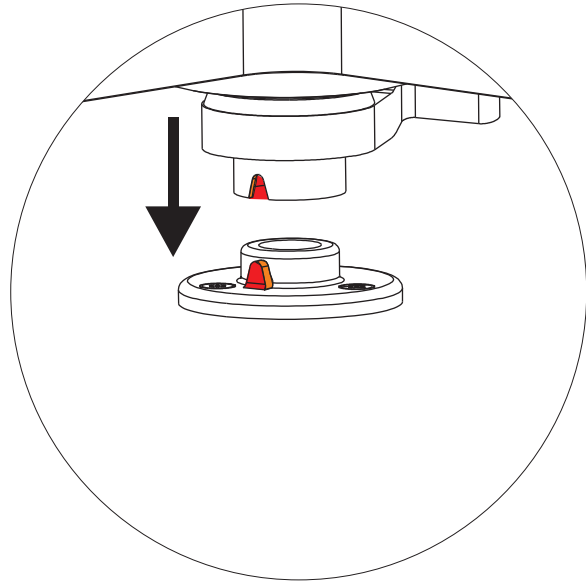
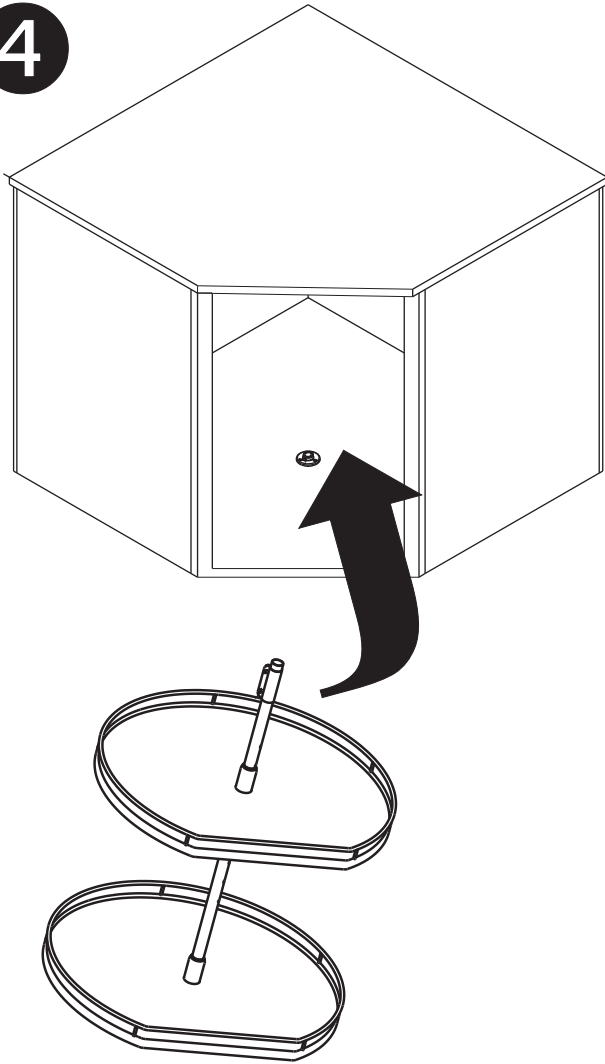
b.



c.



4



5

