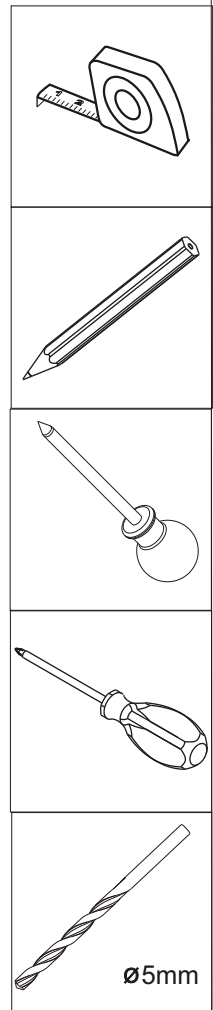
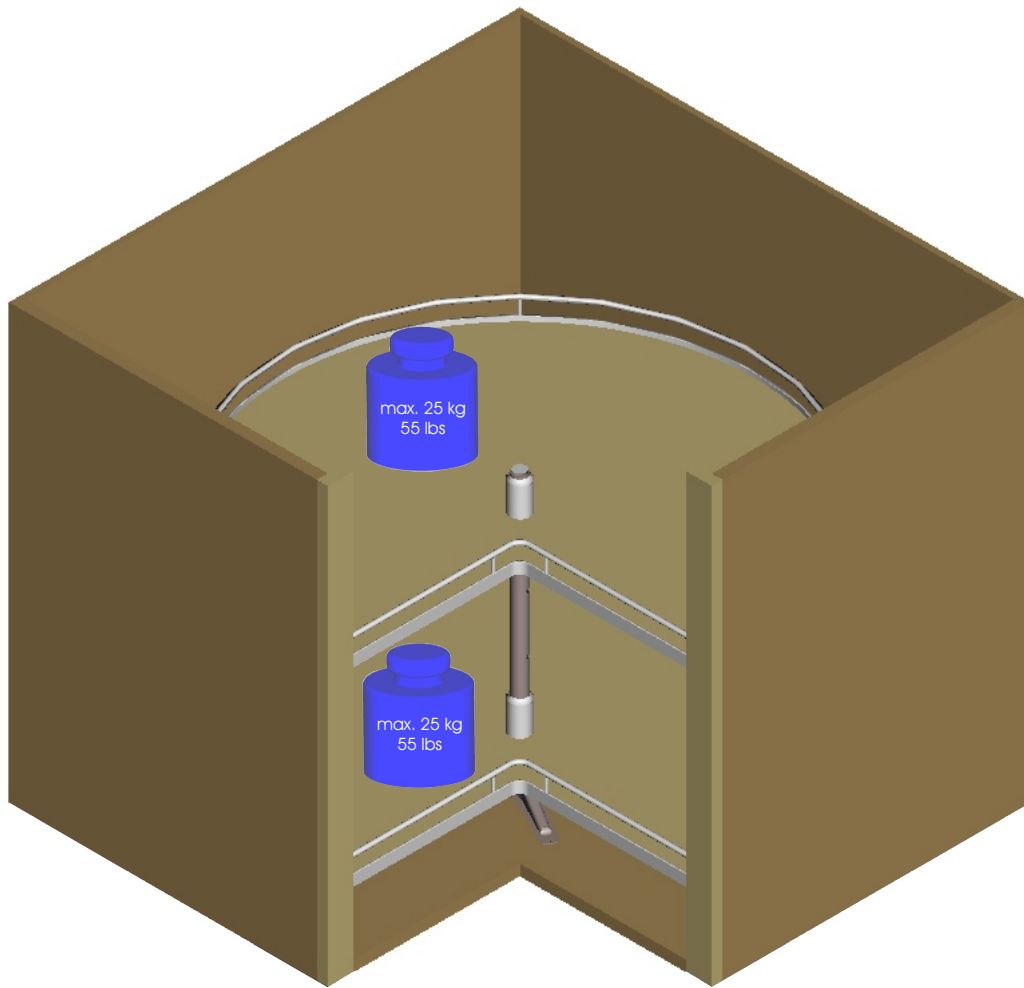


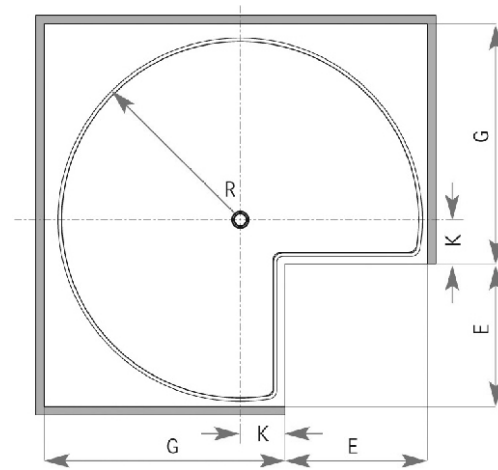
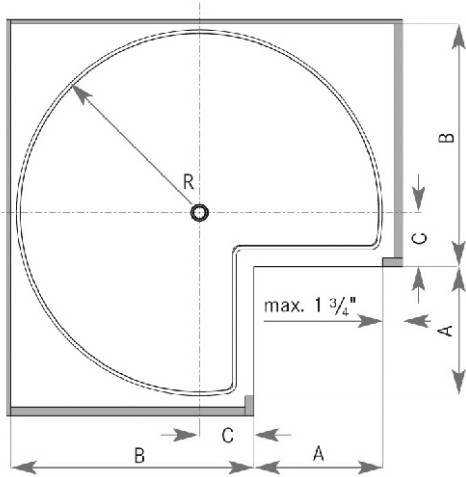


Mounting Instruction
LazySusan



fasteners are not included	
Post bottom mounted	Post height adjustable
use 3x	use 6x
	
pan head	pan head

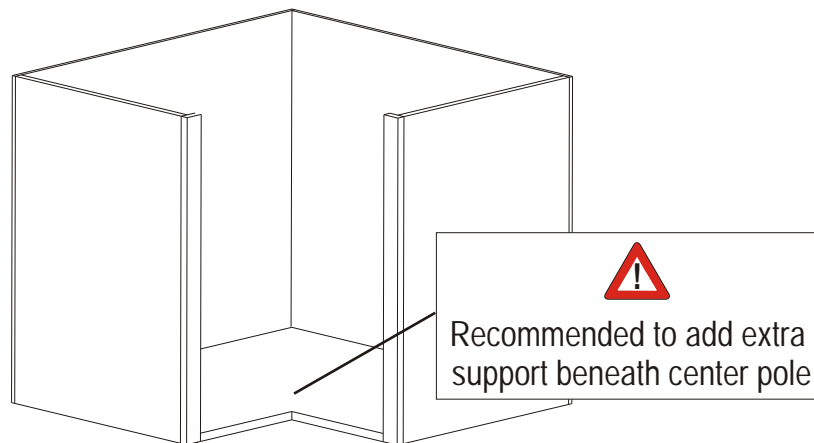


Framed Cabinet

Tray	A _{min}	B _{min}	C _{min}	R
24"	10 1/16" (256 mm)	14 13/16" (377 mm)	2 5/16" (59 mm)	12" (305 mm)
28"	10 9/16" (268 mm)	18 1/4" (464 mm)	3 11/16" (94 mm)	14" (356 mm)
32"	11 3/8" (289 mm)	21 1/2" (546 mm)	4 3/4" (121 mm)	16 1/8" (410 mm)

Frameless Cabinet

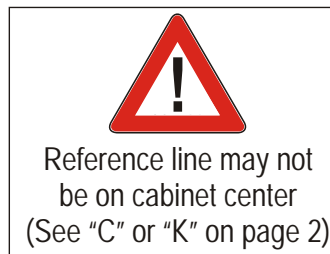
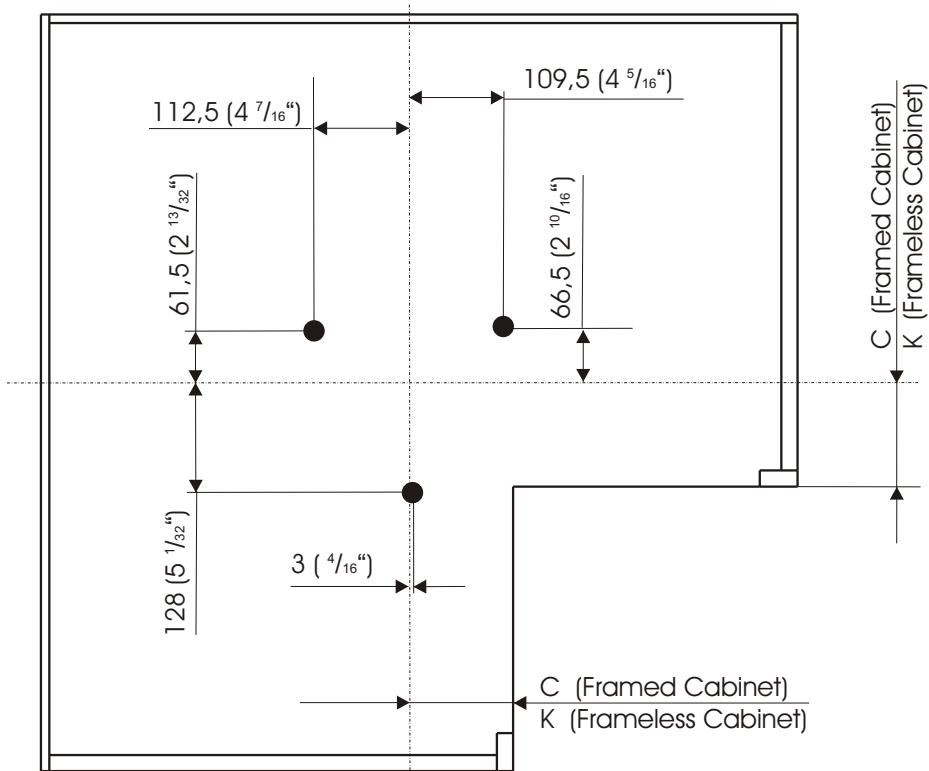
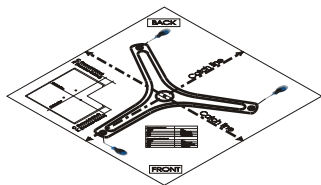
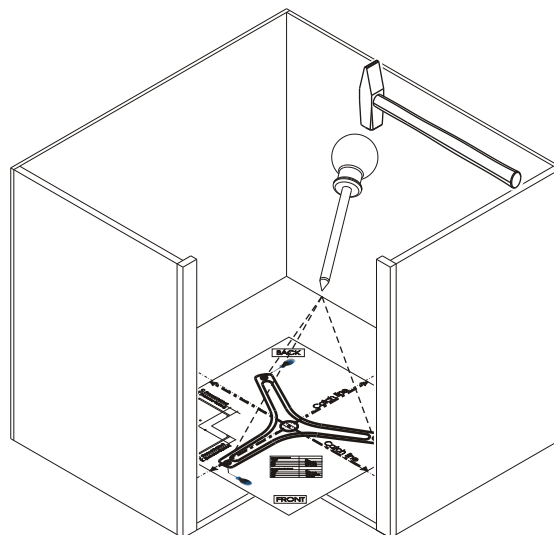
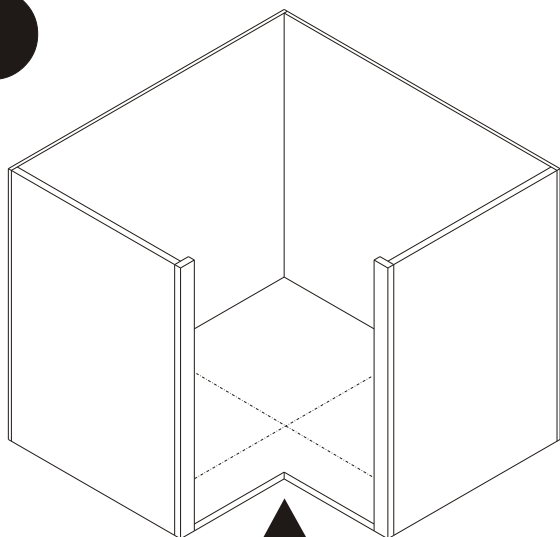
Tray	E _{min}	G _{min}	K _{min}	R
24"	10 15/16" (279 mm)	14 1/16" (358 mm)	1 9/16" (40 mm)	12" (305 mm)
28"	11 9/16" (294 mm)	17 1/2" (444,5 mm)	2 15/16" (74,5 mm)	14" (356 mm)
32"	12 10/16" (321 mm)	20 3/4" (527 mm)	4" (102 mm)	16 1/8" (410 mm)



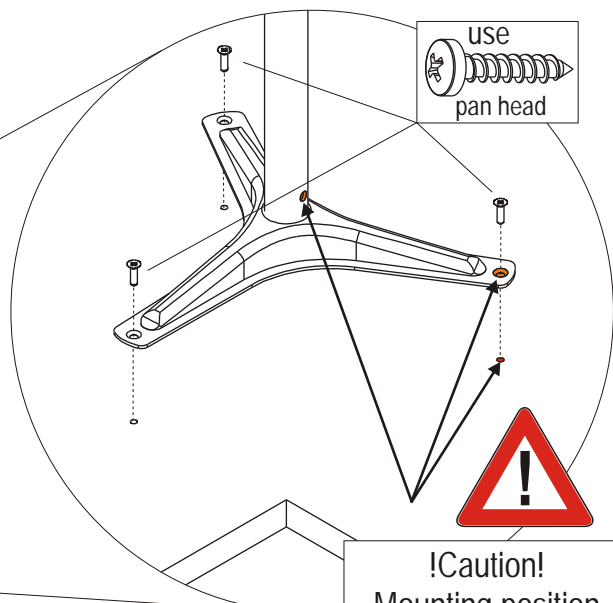
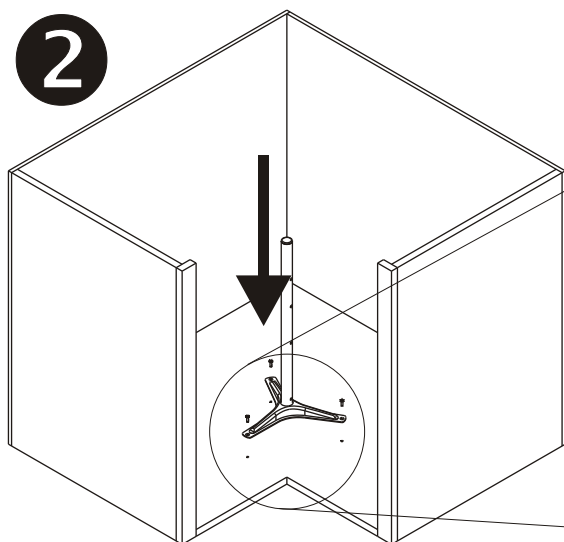
- A. Post with Stand for bottom Mounting (p. 2 - 6)
- B. Post height adjustable (p. 6 - 9)

A. Post with Stand for bottom Mounting

1

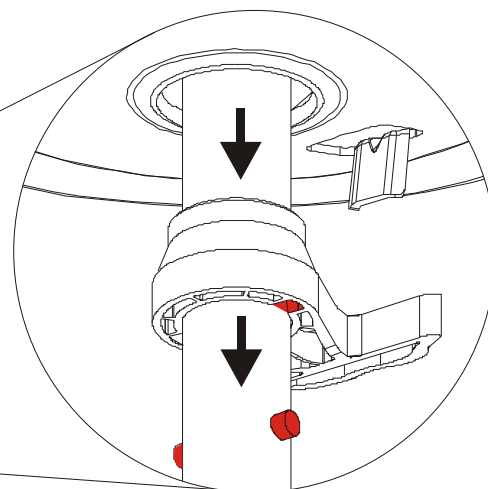
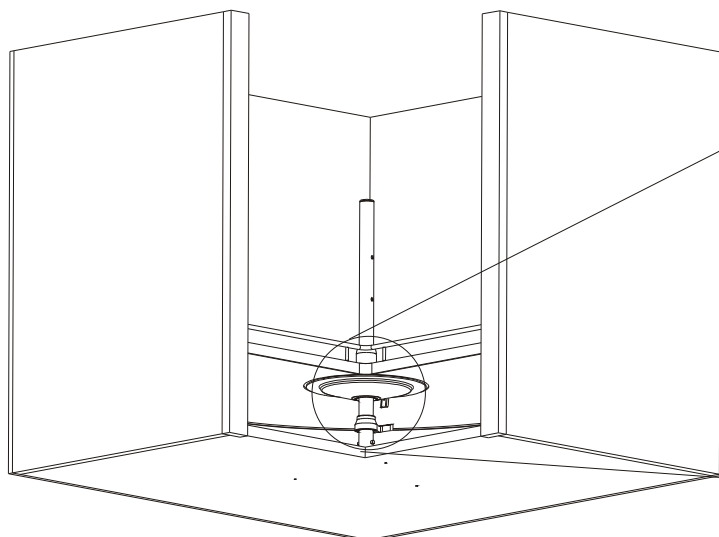
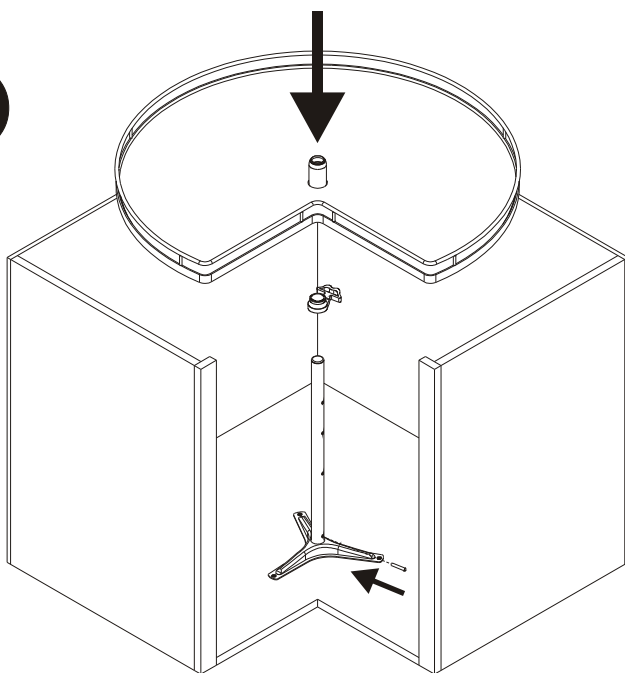


2



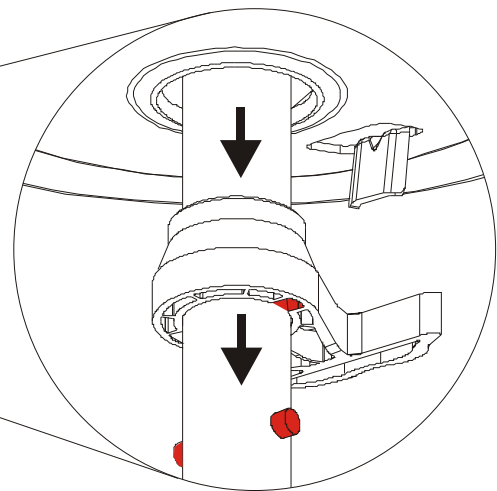
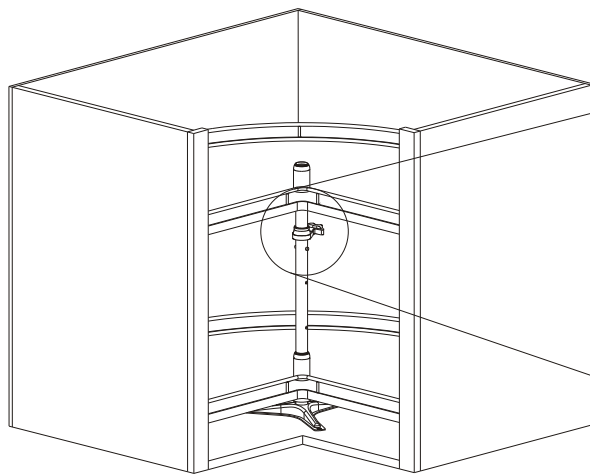
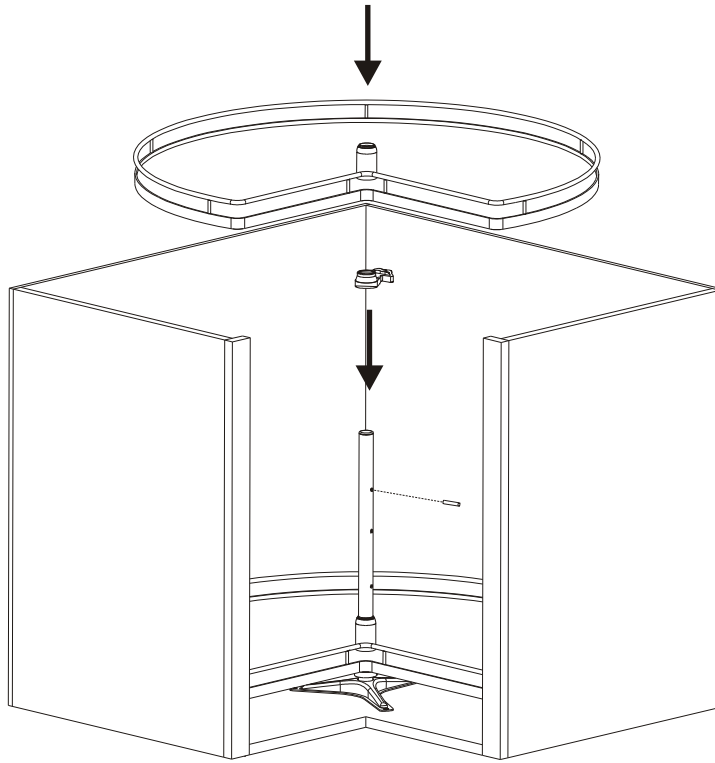
!Caution!
Mounting position
of post

3



Dimensions in mm
Inches are approximate

4

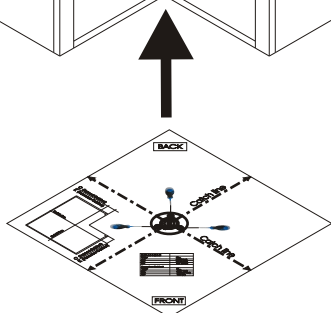
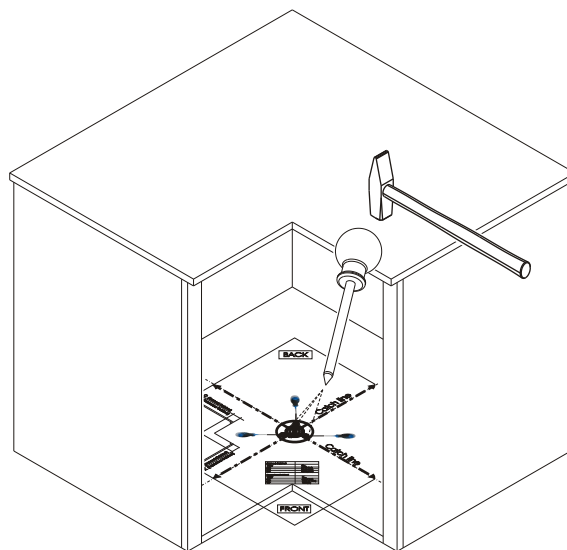
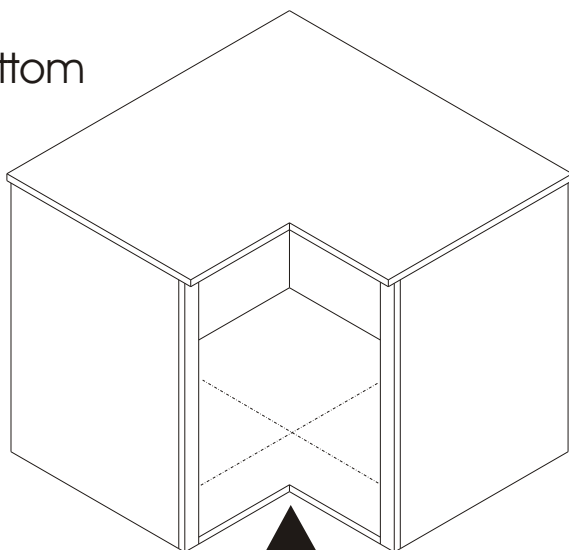


Dimensions in mm
Inches are approximate

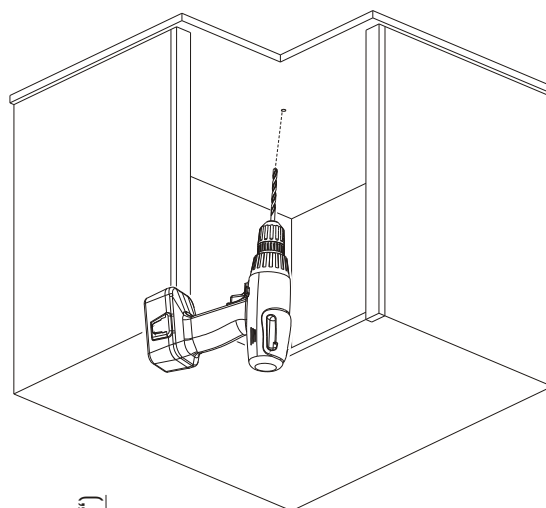
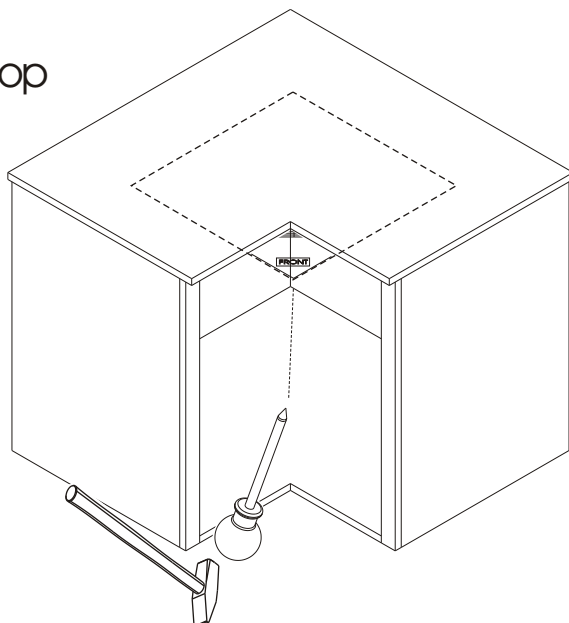
B. Post height adjustable

1

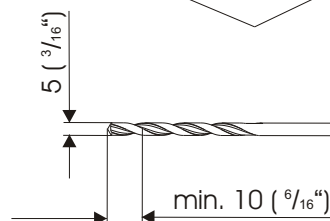
Bottom



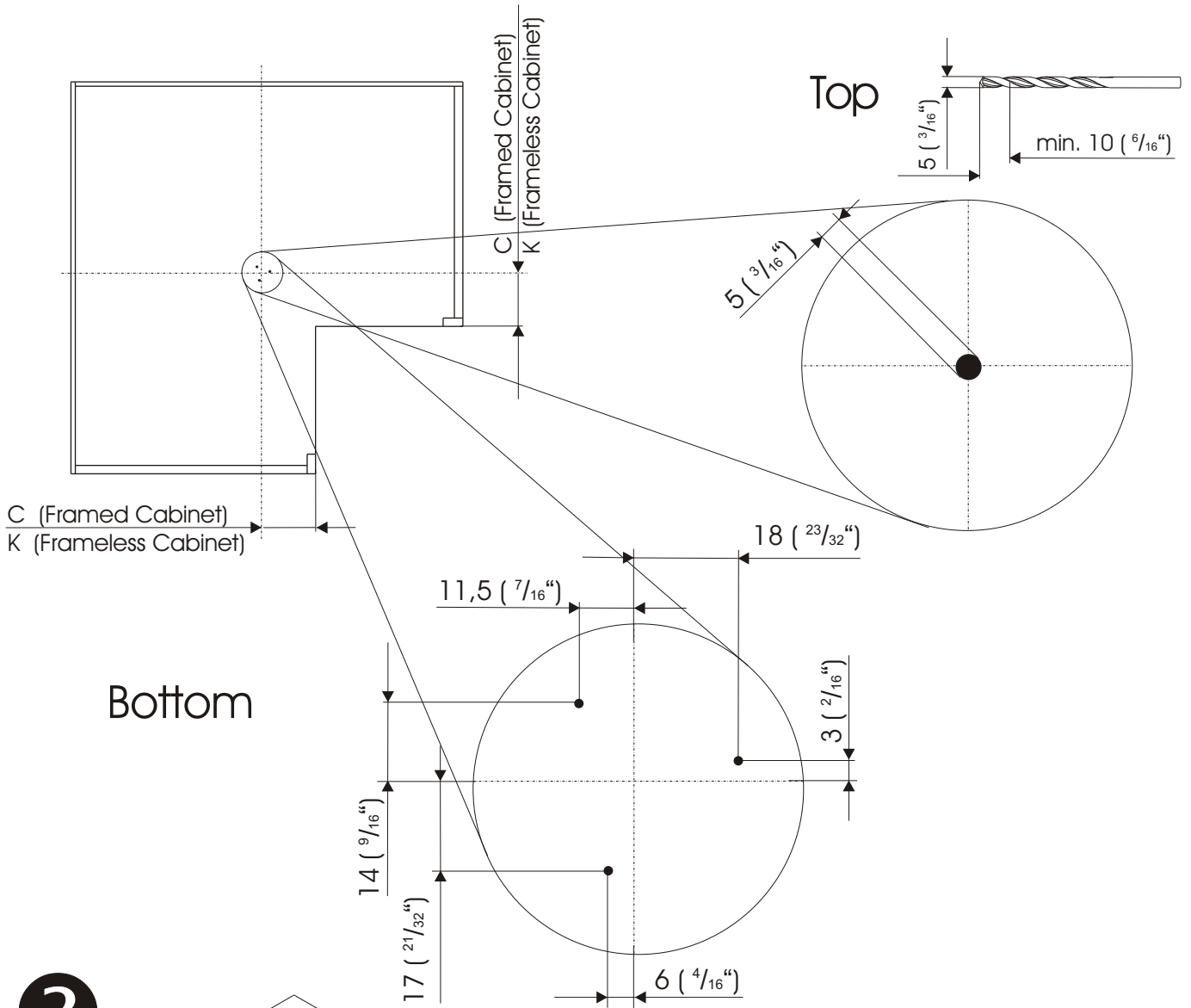
Top



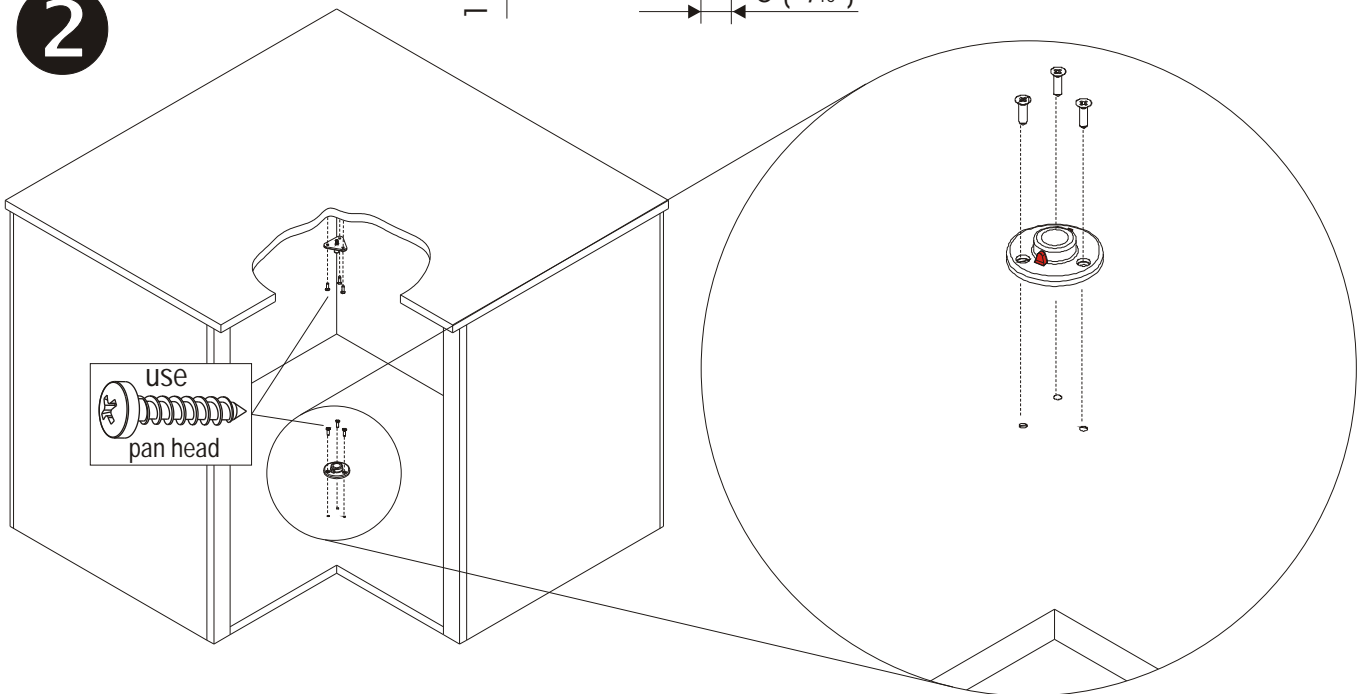
mark only center position !



Dimensions in mm
Inches are approximate

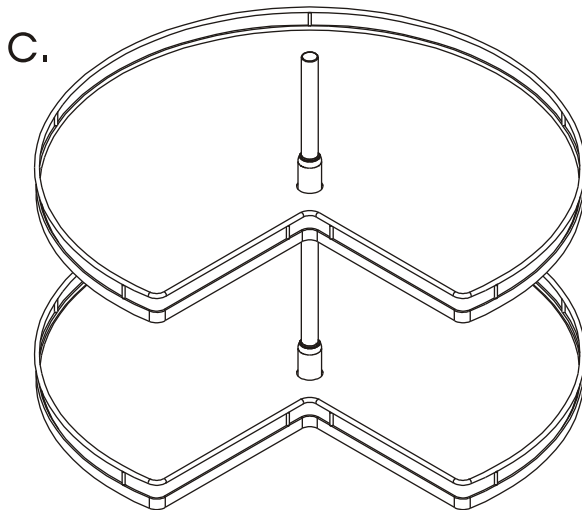
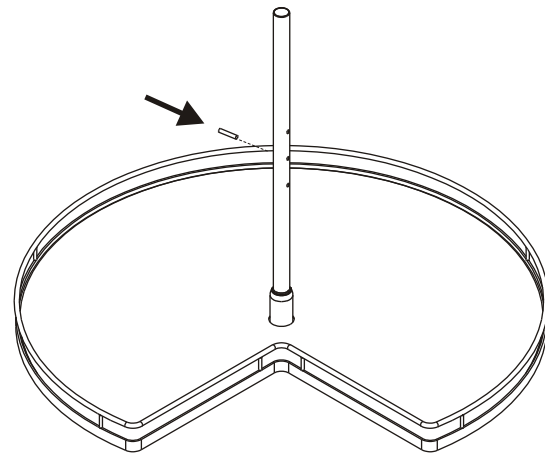
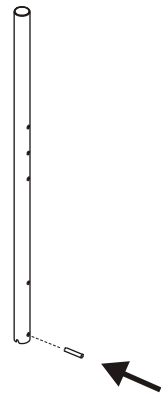
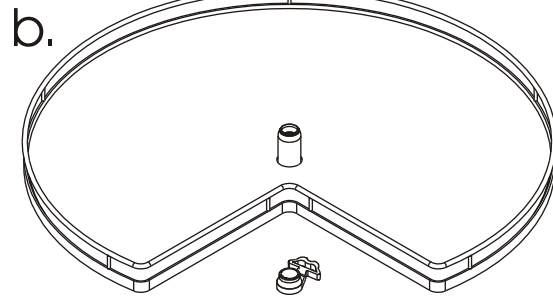
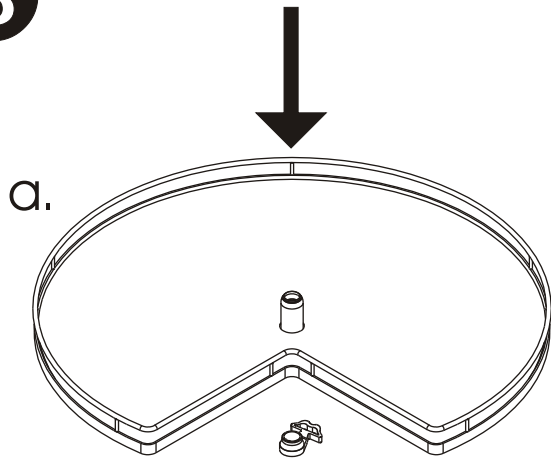


2

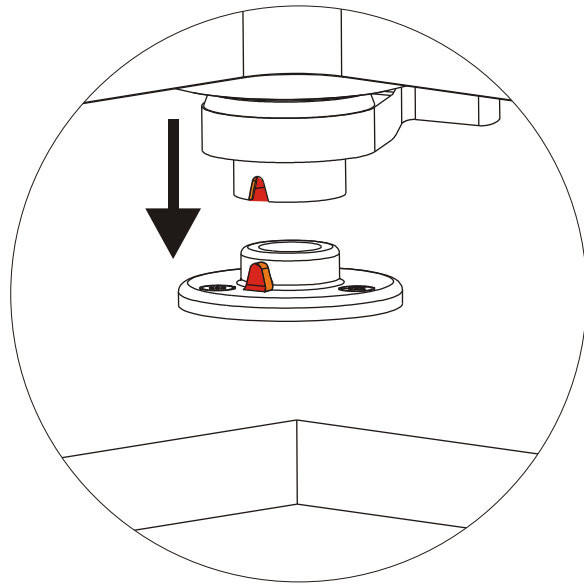
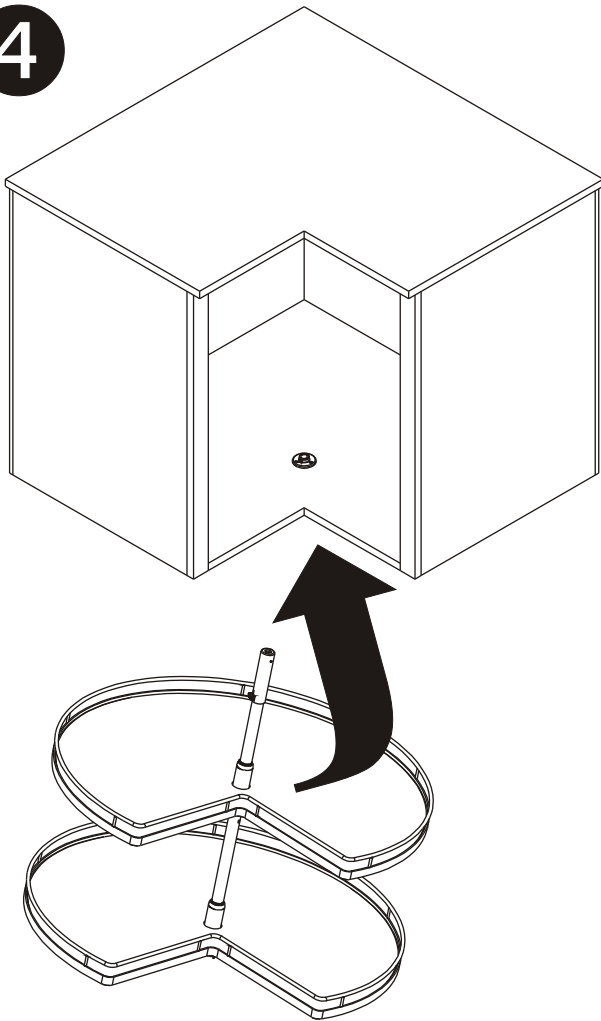


Dimensions in mm
Inches are approximate

3



4



5

